

**BATTERY INFORMATION & WARNING**

Before replacing batteries, read the enclosed BATTERY INFORMATION/ WARNING insert in your original packaging. For additional battery safety, handling, and product information, visit [www.surefire.com/batteries](http://www.surefire.com/batteries).

**MAINTENANCE**

Use a clean, dry cloth to wipe off body and window. Periodically clean and lubricate threads.

**ACCESSORIES**

SureFire offers accessories for most of its illumination tools. For a complete listing, visit [www.surefire.com/partsaccessories](http://www.surefire.com/partsaccessories).

**WARNING**

Before performing any maintenance or installing/removing accessories, always ensure the firearm is unloaded and in a safe condition.

**PISTOL AND MOUNT COMPATIBILITY**

FIREARM	RAIL SET	RAIL ADAPTER
GLOCK 43XMODS	A	1
SPRINGFIELD HELLCAT	B	2
H&K CC9	B	3
SIG SAUER P365	C	4

**BATTERY SPECS**

BATTERY TYPE	VOLTAGE	CAPACITY	ENERGY	WEIGHT	LITHIUM CONTENT
RCR123	3.6 V	900 mAh	3.24 Wh	19 G	0.27 G

\*Specifications per battery

**THE SUREFIRE NO-HASSLE GUARANTEE**

We'll do what it takes to keep your SureFire gear running smoothly. SureFire warrants that if you — our customer — purchase one of our products, and we determine that it is defective in material and/or workmanship during your lifetime, we will repair or replace it — no hassle!

Our warranty does not cover consumables or normal wear-and-tear — things like battery draining, headbands and headpads wearing out, ink cartridges running out, and switches wearing out — or damage resulting from abuse, alterations, unauthorized repairs, or use contrary to SureFire's user manuals.

Should you need a replacement product, SureFire reserves the right to replace an obsolete product with a current production, like model. In the event that any issue with a SureFire product is not covered under this warranty SureFire can arrange to have the product repaired for a reasonable fee.

**STANDARD DISCLAIMER**

Except as specified above or prohibited by applicable law: all express or implied conditions and warranties, including, without limitation, any implied warranty or condition of merchantability or fitness for a particular purpose, or accuracy of any informational content, are hereby excluded and disclaimed by SureFire; and in no event will SureFire be liable for any special, direct, indirect, consequential, incidental or punitive damages howsoever arising and regardless of the theory of liability, even if advised of the possibility of such damages. Products, prices, availability, specifications, and offers are subject to change or cancellation at any time without notice.

**WARRANTY CLAIMS**

For claims, contact Customer Service at 714-545-9444 to obtain a Return Merchandise Authorization number (RMA#). Then package the unit carefully and send to (no CODs):

SureFire, LLC.  
Repairs Department, RMA# \_\_\_\_\_  
17680 Newhope Street, Suite B  
Fountain Valley, CA 92708

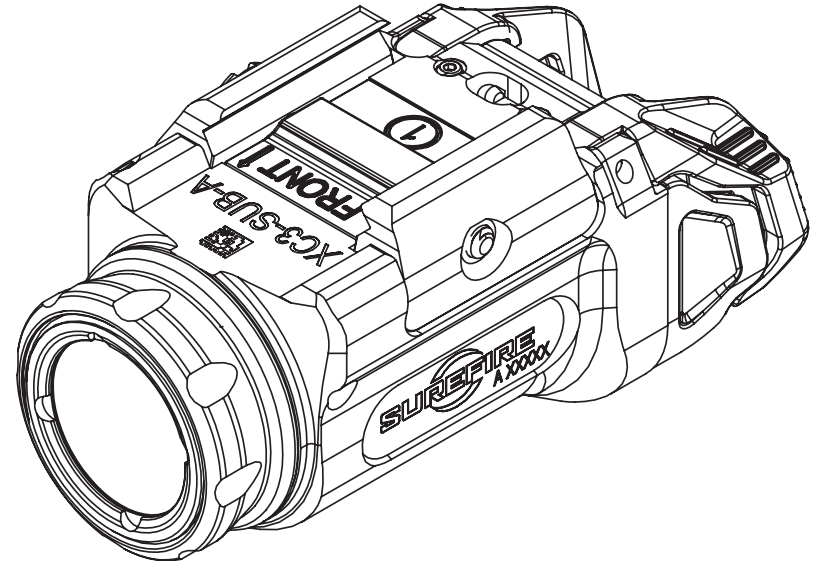
SureFire will pay any reasonable shipping costs to return the unit to you.

Revision B 1-2026  
71-01-1177  
XC3-SUB-A



**XC3**<sub>SUB</sub>

SUBCOMPACT LED HANDGUN LIGHT



SPECIFICATIONS		XC3-SUB-A
OUTPUT		SFRCR123: 1,000 lumens / 123A: 550 lumens
RUNTIME		SFRCR123: 0.75 hours / 123A: 1.75 hours
PEAK BEAM INTENSITY		SFRCR123: 13,000 candela / 123A: 7,200 candela
DISTANCE		SFRCR123: 228 meters / 123A: 170 meters
CONSTRUCTION		Aluminum
FINISH		Hard Anodized (MIL-A-8625 Type III, Class 2)
WEIGHT (W/BATTERY)		2.65 oz (75 g)
LENGTH		2.6 in (6.6cm)
BEZEL DIAMETER		.945 in (2.4 cm)
BATTERY		(1) SFRCR123 (incl.) / (1) 123A
SWITCHING		Ambidextrous push/toggle

All performance claims tested to ANSI/PLATO FL1-2019 Standard.



18300 MT. BALDY CIRCLE  
FOUNTAIN VALLEY, CA 92708-6122  
WWW.SUREFIRE.COM  
Patents: 7117624, 7591098, 7325352, 7360333, 7310903

**BEFORE INITIAL USE, REMOVE BATTERY INSULATOR**

**KIT CONTENTS**

- XC3 Sub WeaponLight
- Crossmember and rail set (Model specific)
- One RCR123 Battery (USB-C port)
- USB-C charge cable

**BATTERY INSTALLATION / REPLACEMENT**

**⚠ WARNING**

ALWAYS ensure firearm is unloaded and clear before changing the battery.

**⚠ WARNING**

Use of substandard batteries can cause injury or property damage. Visit [www.surefire.com/batterysafety](http://www.surefire.com/batterysafety).

The XC3 Sub is a dual fuel light, powered by either a 3.6V RCR123 or CR123A.

1. Insert battery with terminals oriented as shown in the engraved schematic on XC3 Sub body (Figure 1).
2. Install light head by lining up the mark on the head with the unlock symbol on the body. Push the head toward the body and then rotate the head to either the disable position, for light storage, or the locked position, for use (Figure 2).

*CAUTION: Always use a fresh battery when replacing old ones.*

**MOUNTING XC3 SUB TO WEAPON**

**⚠ WARNING**

ALWAYS confirm weapon is unloaded and on SAFE before attempting installation.

1. Loosen the rail-adjustment bolt, then press the bolt to spread the rail clamps, providing sufficient clearance over the weapon's accessory rail.
2. Align the XC3 Sub to the weapon's accessory rail by approaching from under the rail.
3. Mate the XC3 crossmember with the corresponding slot in the weapon's accessory rail.
4. Using a torque wrench and a flathead bit, tighten the rail-adjustment bolt (Figure 4) to 8 in.-lb. on a polymer pistol rail and 8-9 in.-lb. on a metal pistol rail. If a torque wrench is not available, tighten until snug and then apply an additional 1/4 turn. **DO NOT OVERTIGHTEN!** The rail-adjustment bolt will break if excessive force is applied.

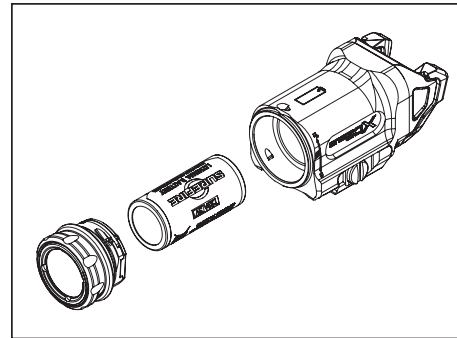
**INSTALLING / REPLACING THE CROSSMEMBER**

1. Loosen (counterclockwise) the rail-adjustment bolt, taking care not to lose the tension spring (Figure 3) located against the bolt head.
2. In order, remove the left siderail, crossmember, and right siderail.
3. Reinstall the right siderail first, insert the appropriate crossmember, then reinstall the left siderail.
4. Insert and tighten (clockwise) the rail-adjustment bolt.

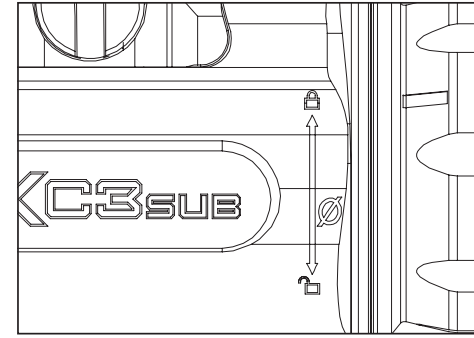
**LIGHT OPERATION**

**For momentary-on light operation**, press and hold either the right or left side of tailcap toggle switch; release to turn light off (Figure 6). **For constant-on operation**, activate by a quick tap and release action via either toggle switch (Figure 6).

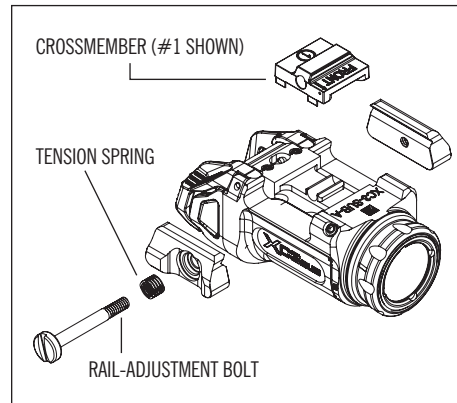
**FIGURE 1**



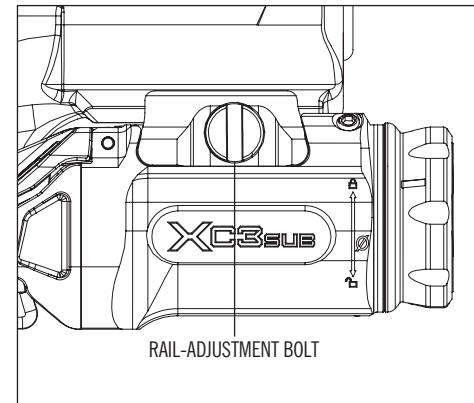
**FIGURE 2**



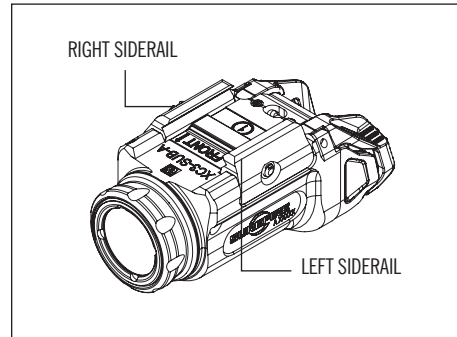
**FIGURE 3**



**FIGURE 4**



**FIGURE 5**



**FIGURE 6**

